

AGENDA
PUBLIC HEARING ON COMPLETION OF CONTRACT
DRAINAGE DISTRICT 98 REPAIR TO EXISTING MAIN TILE, HARDIN COUNTY

WEDNESDAY, FEBRUARY 14, 2018 AT 9:30 AM
LOWER LEVEL CONFERENCE ROOM - HARDIN COUNTY COURTHOUSE

1. Open Meeting
2. Approve Agenda
3. Introductions/Attendance
4. Open Public Hearing
5. Verify Publication
Published in the Iowa Falls Times Citizen on February 3, 2018
6. Explanation Of Project

Documents:

[DD 98 COMPLETION REPORT 1-2-2018.PDF](#)

7. Written Or Verbal Comments/Discussion
8. Damage Claims
9. Close Public Hearing
10. Possible Action
 - Approve Completion of Project
 - Approve Final Pay Estimate
 - Approve Claims for Damages
11. Adjourn Meeting

HARDIN COUNTY, IOWA

2017



**COMPLETION REPORT
ON REPAIR
TO EXISTING
MAIN TILE OF
DRAINAGE DISTRICT
NO. 98
HARDIN COUNTY, IOWA**



I HEREBY CERTIFY THAT THIS ENGINEERING DOCUMENT WAS PREPARED BY ME OR UNDER MY DIRECT PERSONAL SUPERVISION AND THAT I AM A DULY LICENSED PROFESSIONAL ENGINEER UNDER THE LAWS OF THE STATE OF IOWA

LEE O. GALLENTINE, P.E.

DATE

LICENSE NUMBER: 15745
MY LICENSE RENEWAL DATE IS DECEMBER 31, 2018
PAGES OR SHEETS COVERED BY THIS SEAL:
SHOWN ON TABLE OF CONTENTS



OFFICE LOCATIONS

739 Park Avenue
Ackley, IA. 50601
Phone: 641-847-3273
Fax: 641-847-2303

103 East State Street, Ste 430
Mason City, IA 50401
Phone: 641-423-1451
Fax: 641-423-1659

511 Bank Street
Webster City, IA 50595
Phone: 515-832-1876
Fax: 515-832-1932

**Completion Report on Repair to
Existing Main Tile, Drainage District No. 98
Hardin County, Iowa**

Table of Contents	Pg. 1
Report	
Project Timeline	Pg. 2
Project Deviations	Pg. 3
Final Project Costs	Pg. 4
Pending Items	Pg. 4
Appendices	
As-Built Plans	App. A
Final Pay Estimate	App. B
Lien Waivers	App. C

Completion Report on Repair to Existing Main Tile, Drainage District No. 98 Hardin County, Iowa

PROJECT TIMELINE: The Hardin County Board of Supervisors, acting as District Trustees, requested Ryken Engineering to investigate and report concerning repairs and improvements of the existing main tile of Drainage District No. 98. As a result, Ryken Engineering generated an Engineer's Report dated October 6, 2015 summarizing past improvements and repairs, investigating the necessity and feasibility of repairs and improvements to the existing main tile, and presenting opinion of construction costs associated with said repairs and improvements. A hearing concerning said report was conducted. As a result of the hearing, the Trustees authorized Ryken Engineering to proceed with completion of project plans and specifications for repairs only and proceed with a bid letting.

Ryken Engineering completed the authorized plans and specifications and a bid letting date of April 20, 2016 was set. The project was advertised and bids were received for concrete or polypropylene tile from qualified contractors. The following bids for polypropylene tile were received:

- | | |
|--|----------------|
| 1. Hands On Excavating, LLC of Radcliffe, Iowa | Bid = \$52,694 |
| 2. Cole Excavating of Greene, Iowa | Bid = \$58,361 |
| 3. Weidemann, Inc of Dows, Iowa | Bid = \$71,608 |
| 4. McDowell and Sons Contractors, Inc. of Iowa Falls, Iowa | Bid = \$85,924 |

The District Trustees identified Hands On Excavating, LLC as the lowest responsible bidder for the polypropylene tile and awarded the project. The contract was signed on May 12, 2016. Construction activities were started during the week of August 11, 2016. Weather and working conditions for this type of construction were favorable and the contractor worked until the main tile was repaired and the only work remaining was site cleanup and seeding. This was achieved the week of October 11, 2016 (approximately 1½ months before the December 1, 2016 contract completion date).

PROJECT DEVIATIONS: - This project followed the authorized plans and specifications very well with only the following deviations (for reference, see as-built plans included in Appendix A):

1. There were small differences between bid quantities and actual installed quantities in some items (i.e. polypropylene tile, tee, tile removal, concrete collars, private tile connects, jet/vac cleaning, and CCTV tile). This resulted in an increase of \$2,022.40.
2. It was anticipated that there would be a utility adjustment required as a repair. During construction, no utility adjustment was needed. This resulted in a decrease to the total project of \$500.00.
3. It was anticipated that there would be permanent seeding needed for part of the area post construction. During construction, the landowner requested that no seeding be performed. This resulted in a decrease to the total project of \$600.00.
4. During construction, it was discovered that solidified flowable mortar was obstructing flow in the main tile under County Highway D15. This required removal. This resulted in an increase to the total project of \$797.50.
5. During construction, erosion repair was performed at the end of the waterway before entering a box culvert going under County Highway D15. This resulted in an increase to the total project of \$240.00.
6. During construction, it additional time was required to verify location of the main tile in the field versus previous CCTV performed. This resulted in an increase to the total project of \$438.75.

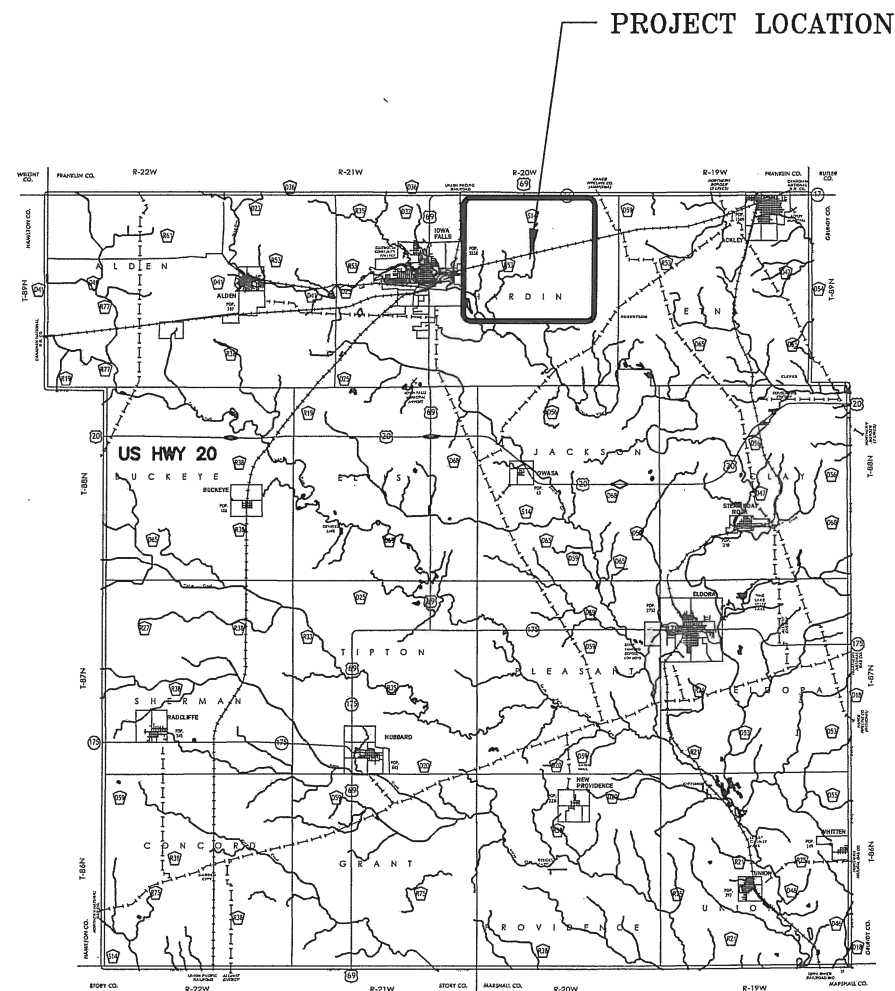
FINAL PROJECT COSTS: - The final project costs for construction (for reference, see final pay estimate included in Appendix B) and engineering (not including repair report) are estimated at \$80,924.15 which is approximately \$16,000 above those presented at the above mentioned hearing. These costs may vary depending upon any damage claims brought forth at the completion hearing. Pending no claims, the costs are as detailed below:

Project Bid by Contractor	\$ 52,694.00
Increased Bid Quantities (Item #1 above)	+\$ 2,022.40
Deleted Utility Adjustment (Item #2 above)	- \$ 500.00
Deleted Grading and Seeding (Item #3 above)	- \$ 600.00
Increase due Removal of Grout (Item #4 above)	+\$ 797.50
Increase due to Erosion Repair (Item #5 above)	+\$ 240.00
Increased do to Verify location of Tile (Item #6 above)	+\$ 438.75
<u>Engineering</u>	<u>+\$ 25,831.50</u>
TOTAL PROJECT COST	\$ 80,924.15

The total cost is below those contained in the above-mentioned Engineer's Report. However, it should be noted that the amount of repair also exceeded that presented at the above mentioned hearing. It should be noted that the above costs do not include any administrative costs, legal costs, interest on construction warrants, or damage claims.

PENDING ITEMS: - As of the writing of this report, this project is complete (including punchlist items) in general accordance with the authorized plans and specifications and lien waivers for suppliers and subcontractors have been submitted by the general contractor (for reference, see Appendix C). After the completion hearing, final payment needs to be authorized by the Trustees and the applicable highway authorities should be invoiced for the applicable cost of road crossings (assumed to be Items 110 and 111) shown on the final pay estimate. It is my recommendation that the project be accepted. I also recommend that the entire project be walked and reviewed just prior to the expiration of the contract warranty period for any warranty items that may need to be remedied by the contractor. It should be noted that if the Trustees decide to exercise this recommendation, there are no engineering fees included in the above Final Project Costs to cover this service.

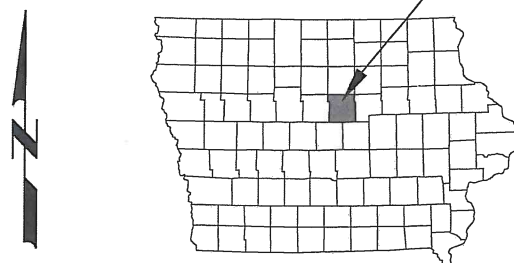
AS-BUILT DRAINAGE DISTRICT 98 MAIN TILE REPAIRS HARDIN COUNTY, IOWA 2016



HARDIN COUNTY VICINITY MAP
NOT TO SCALE



PROJECT LOCATION

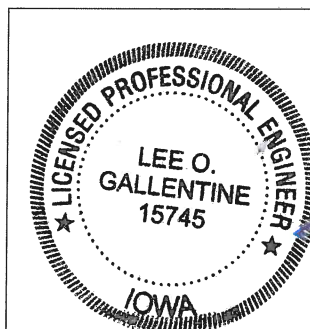


NOTES:

1. THE PLANS AND SPECIFICATIONS PREPARED BY RYKEN ENGINEERING SHALL GOVERN. REPAIRS SHALL COMPLY WITH THE DETAILS AND SPECIFICATIONS REFERENCED.
2. CONTRACTOR SHALL CONTACT ONE-CALL TO OBTAIN UTILITY LOCATES PRIOR TO STARTING CONSTRUCTION.
3. ATTENTION IS DIRECTED TO THE FACT THAT THESE PLANS MAY HAVE BEEN REDUCED OR INCREASED IN SIZE BY REPRODUCTION. THIS MUST BE CONSIDERED WHEN OBTAINING SCALED DATA.

INDEX OF SHEETS

- 1 COVER SHEET
- 2 PROJECT MAP
- 3 SCHEDULES AND DETAILS



I HEREBY CERTIFY THAT THIS ENGINEERING DOCUMENT WAS PREPARED BY ME OR UNDER MY DIRECT PERSONAL SUPERVISION AND THAT I AM A DULY LICENSED PROFESSIONAL ENGINEER UNDER THE LAWS OF THE STATE OF IOWA.

Lee O. Gallentine PE Dec 28, 2017
LEE O. GALLENTINE, P.E. DATE

P.E. LICENSE NUMBER: 15745
MY LICENSE RENEWAL DATE IS DECEMBER 31, 2018
PAGES OR SHEETS COVERED BY THIS SEAL: 1-3

DRAWN BY: ZJS	APPROVED BY: LOG	REVISIONS:	
DATE: 12/15/2015	PROJ. NO.: 6600		
FIELD BK: -			
P:\6600\CADD\CDS\AS-BUILT\6600 - COVER AS-BUILT.DWG; 1/17/2017			

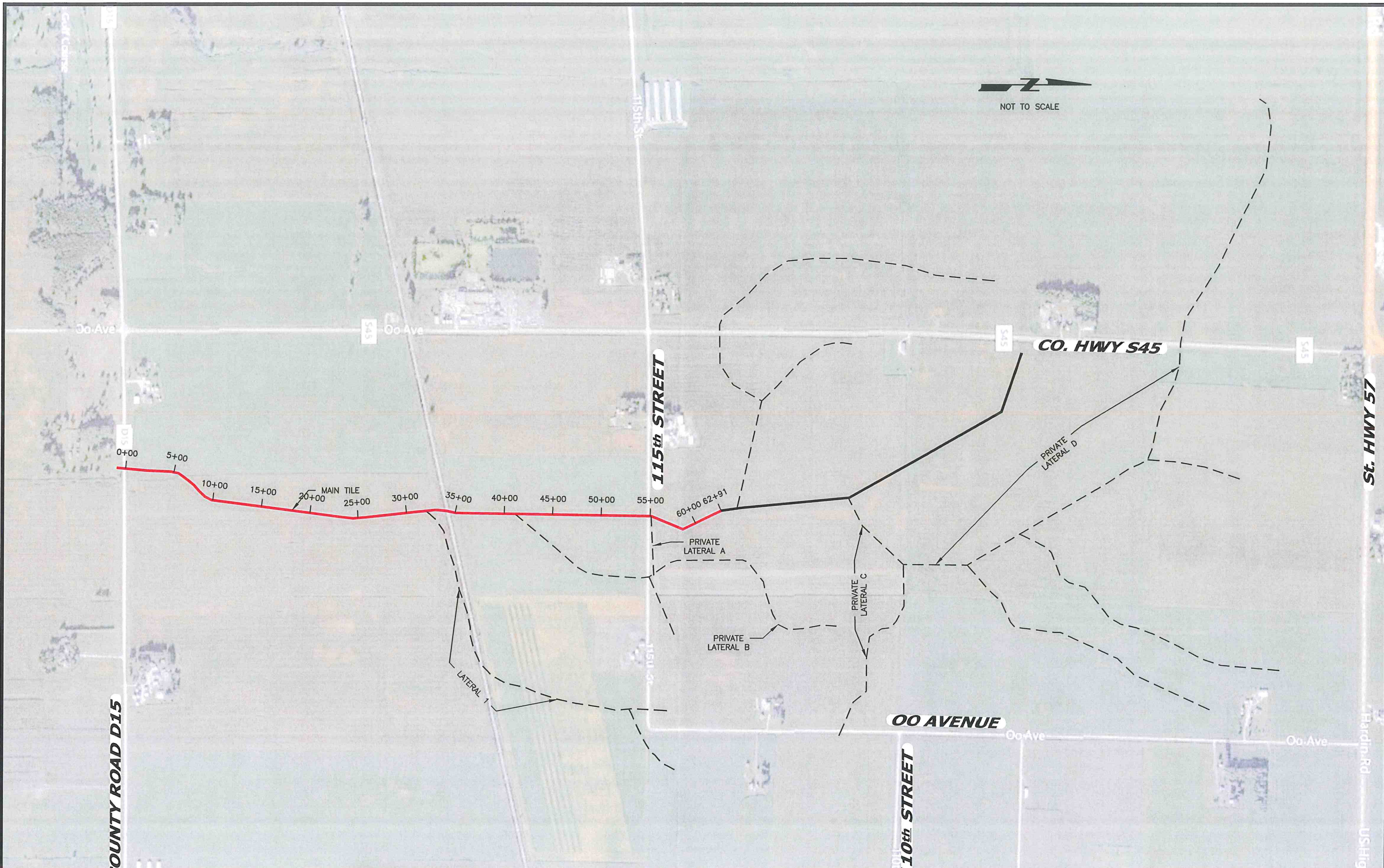
RYKEN
ENGINEERING & LAND SURVEYING, INC.
ACKLEY, MASON CITY &, WEBSTER CITY, IOWA

ADDRESS:
739 PARK AVENUE
ACKLEY, IOWA 50601
PH 641-847-3273 FAX 641-847-2303

PROJECT:
**DRAINAGE DISTRICT #98 MAIN TILE REPAIRS
HARDIN COUNTY, IOWA
2016**

SHT. NAME:
COVER

SHT. NO.:
1 OF 3



DRAWN BY: ZJS	APPROVED BY: LOG	REVISIONS:
DATE: 12/15/2015	PROJ. NO.: 6500	
FIELD BK:		

RYKEN
 ENGINEERING & LAND SURVEYING, INC.
 ACKLEY, MASON CITY & WEBSTER CITY, IOWA

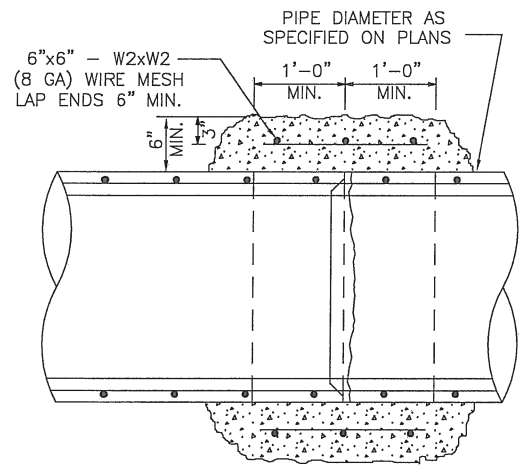
ADDRESS:
 739 PARK AVENUE
 ACKLEY, IOWA 50601
 PH 641-847-3273 FAX 641-847-2303

PROJECT:
 DRAINAGE DISTRICT #98 MAIN TILE REPAIRS
 HARDIN COUNTY, IOWA
 2016

SHT. NAME:
 PROJECT MAP

SHT. NO.:
 2 OF 3

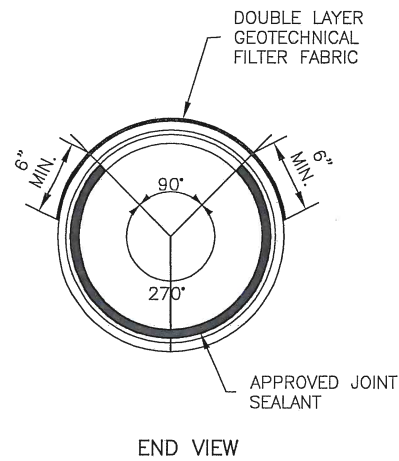
P:\6600\CADD\CDS\AS-BUILT\6600 - LOCATION MAP AS-BUILT.DWG; 1/17/2017



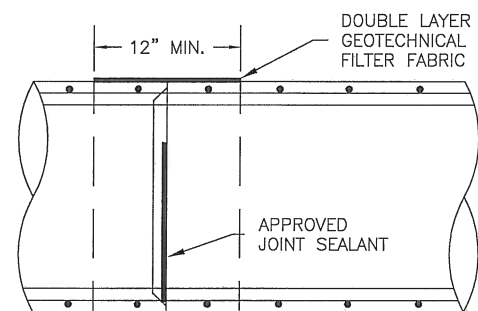
TYPE 2 CONCRETE COLLAR CONNECTION DETAIL

NO SCALE

CONCRETE COLLAR REQUIREMENT
 THE OUTER EDGE OF PIPE JOINTS SHALL NOT BE OPENED GREATER THAN 5/16-INCH. IF GREATER THAN 5/16-INCH, A TYPE 2 CONCRETE COLLAR SHALL BE INSTALLED AROUND THE JOINT AT NO ADDITIONAL COST TO THE OWNER



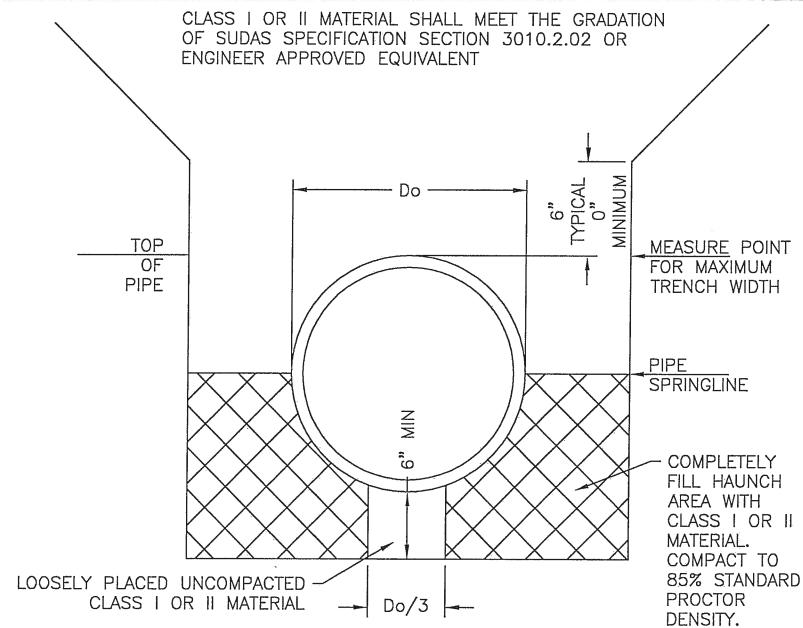
END VIEW



SECTION

RCP JOINT DETAIL

NO SCALE



CLASS II MATERIAL BEDDING SHALL BE CONSISTENT WITH THE GRADATION AND OTHER CHARACTERISTICS OF STANDARD AASHTO A1 OR A3 SOIL. A REPRESENTATIVE SAMPLE OF THE MATERIAL AND A GRADATION REPORT OR SUPPLIER'S CERTIFICATION OF COMPLIANCE SHALL BE SUBMITTED TO THE ENGINEER OR APPROVAL PRIOR TO DELIVERY TO SITE.

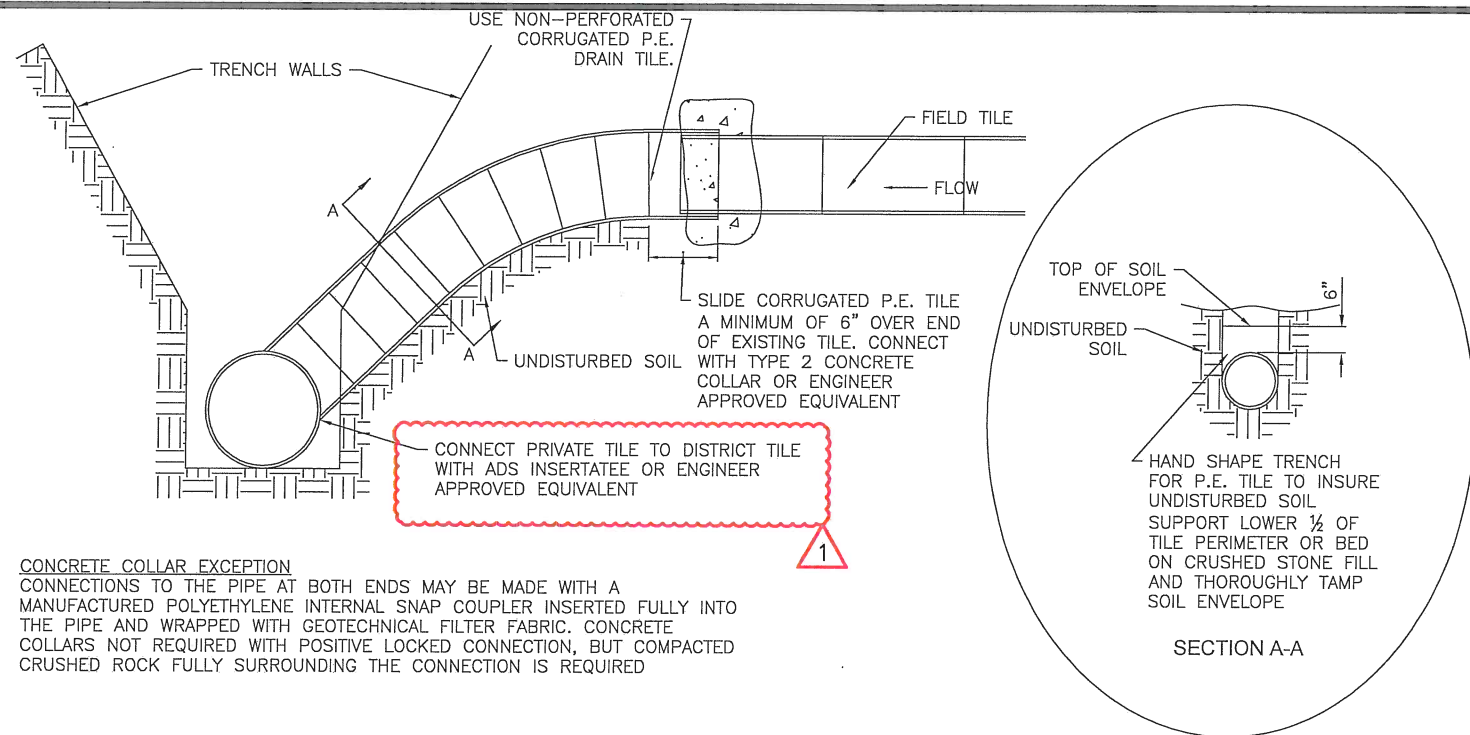
RCP BEDDING DETAIL

NO SCALE

REPAIR SCHEDULE

STATION	Length of Pipe (ft) (not including tees)	Existing Main Size (in) (field verify)	Repair Main Size (in)	Approximate Depth to FL (FT)	Reason for Replacement	Notes
0+10.1-3+00	288-289.8	26	30	5.5	Replace Cracked VCP	Includes Utility Line Adjustment
0+12 to 3+00						
5+35.9-5+41.07	5.17	26	30	4.6	Replace Cracked VCP	
5+63.4-5+71.4	8.0	26	30	4.8	Replace Cracked VCP	
6+16-8+21.3	5.8	26	30	4.8	Replace CMP	
7+22-7+30	8.0	26	30	4.4	Replace Cracked VCP	
8+00-8+05.3	5.3	26	30	4.9	Replace Cracked VCP	
22+99.4-23+18.4	19.0	26	30	5.2	Replace Cracked VCP	
24+27.3-24+63.8	36.5	26	30	4.9	Replace Cracked VCP and Correct Void @ Joint	
24+33 to 24+73						
26+44.9-27+02.7	57.8	26	30	5.0	Replace Cracked VCP	
26+60 to 27+00						
28+25.6-28+37.2	11.6	26	30	4.5	Replace Cracked VCP	
28+31						
28+89.9-29+08	18.1	26	30	5.0	Replace Cracked VCP	
28+98						
30+36.8-30+44.2	7.4	26	30	5.1	Correct Void @ Joint	
30+45						
31+87.5-33+05.7	118.2	24	30	4.4	Replace Cracked VCP	Includes Private Tile Connection and 30" x 18" Tee
31+97 to 33+07						
IN R.R. R/W						
34+58 to 34+70		24	30	6.6	Replace Cracked VCP	Includes Private Tile Connection and 30" x 18" Tee

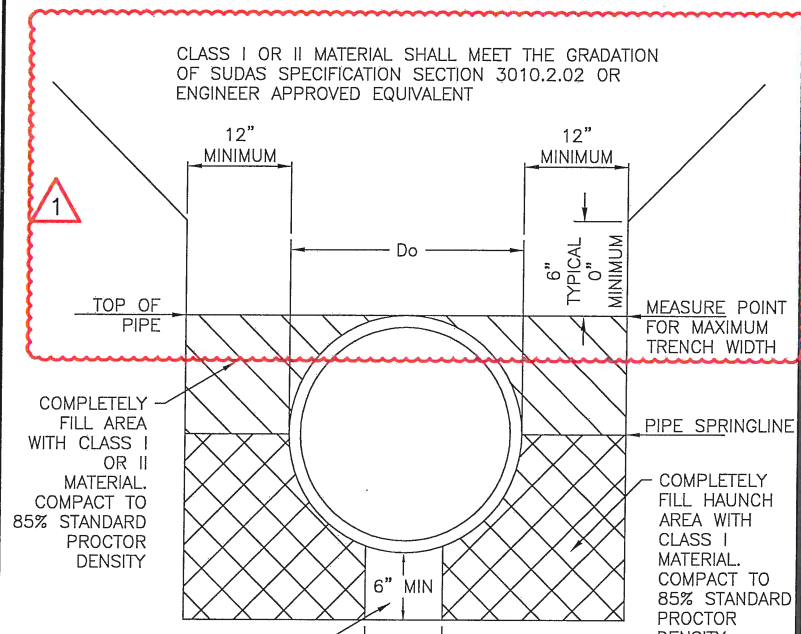
Note: The above stationing is based on CCTV inspection from the following points:
 GPS #73 = Sta. 33+19 GPS #300 = Sta. 0+79



CONCRETE COLLAR EXCEPTION
 CONNECTIONS TO THE PIPE AT BOTH ENDS MAY BE MADE WITH A MANUFACTURED POLYETHYLENE INTERNAL SNAP COUPLER INSERTED FULLY INTO THE PIPE AND WRAPPED WITH GEOTECHNICAL FILTER FABRIC. CONCRETE COLLARS NOT REQUIRED WITH POSITIVE LOCKED CONNECTION, BUT COMPACTED CRUSHED ROCK FULLY SURROUNDING THE CONNECTION IS REQUIRED

PRIVATE TILE CONNECTION DETAIL

FOR PRIVATE TILE UP TO 10" DIAMETER
 NO SCALE



POLYPROYLENE BEDDING DETAIL

NO SCALE

CLASS II MATERIAL BEDDING SHALL BE CONSISTENT WITH THE GRADATION AND OTHER CHARACTERISTICS OF STANDARD AASHTO A1 OR A3 SOIL. A REPRESENTATIVE SAMPLE OF THE MATERIAL AND A GRADATION REPORT OR SUPPLIER'S CERTIFICATION OF COMPLIANCE SHALL BE SUBMITTED TO THE ENGINEER OR APPROVAL PRIOR TO DELIVERY TO SITE.

PAY ESTIMATE NO. 3 (FINAL)
MAIN TILE REPAIR DRAINAGE DISTRICT 98
HARDIN COUNTY, IOWA

Date: 12-28-17
Project No. 6600

CONTRACTOR
Hands On Excavating, LLC
12676 290th Street
Radcliffe, IA 50230


OWNER
Hardin County Supervisors acting as
Trustees of Drainage District 98
1215 Edgington Ave., Suite 1
Eldora, Iowa 50627

ENGINEER
Clapsaddle-Garber Associates, Inc
739 Park Avenue
Ackley, IA 50601

Item No.	Description	Estimated Quantity	Unit	Installed Quantity	Unit Price	Extended Price
ALTERNATE BID						
101	30" Ø Polypropylene Tile	591.2	*LF	591.2	\$ 75.00	\$ 44,340.00
102	18" x 30" Polypropylene Tee	1	*EA	1	\$ 750.00	\$ 750.00
103	Utility Adjustment	0	*LS	0	\$ 500.00	\$ -
104	Tile Removal	604.2	*LF	604.2	\$ 4.00	\$ 2,416.80
105	Type 2 Concrete Collar	26	*EA	26	\$ 135.00	\$ 3,510.00
106	Private Tile Connections	5	*EA	5	\$ 250.00	\$ 1,250.00
107	Jet and Vac Clean Existing Tile	400	*LF	400	\$ 1.25	\$ 500.00
108	CCTV Existing Tile	1200	*LF	708	\$ 1.20	\$ 849.60
109	Permanent Seeding	0	*AC	0	\$ 600.00	\$ -
110*	Removal of Flowable Grout Under Road	1	LS	1	\$ 797.50	\$ 797.50
111*	Erosion Repair	1	LS	1	\$ 240.00	\$ 240.00
112*	Time Spent to Verify Location versus	1	LS	1	\$ 438.75	\$ 438.75

I have reviewed the work claimed to be completed by the Contractor as reflected above and recommend payment of \$ **5,509.26** to the Contractor.

TOTAL WORK COMPLETED TO DATE	\$ 55,092.65
10% RETENTION	\$ -
AMOUNT DUE LESS RETENTION	\$ 55,092.65
PREVIOUSLY PAID	\$ 49,583.39
MOUNT DUE AT THIS TIME	\$ 5,509.26


Lee Gallentine, Project Engineer

* - Approved as part of Change Order #1

Per Iowa Code, road crossings (highlighted orange) are not typically district expense



UNCONDITIONAL WAIVER AND RELEASE UPON PAYMENT

TO WHOM IT MAY CONERN:

Whereas the undersigned Advanced Drainage Systems

has been paid and has received payment in full for labor, services, equipment and/or material furnished to Hands On Excavating LLC for the job know as Hardin County DD98 repair located in the city/county of Hardin Co. _____, State of Iowa.

The undersigned does hereby release any right to lien on the above referenced job to the following extent. This release covers a complete payment for labor, services, equipment or materials furnished through the date signed below, and does not cover items furnished after this date.

Dated this 23RD day of October, 2017

Company: ADS-Advanced Drainage Systems, Inc.

By: Michael C. [Signature]
(Signature)

****Lien Waivers need to be returned before next payment will be processed****

Please Return to:
Hands On Excavating LLC
3305 Ziegler Ave
Radcliffe, Ia 50230
Fax 1-800-852-8337
E-mail- Handsaker@gmail.com

